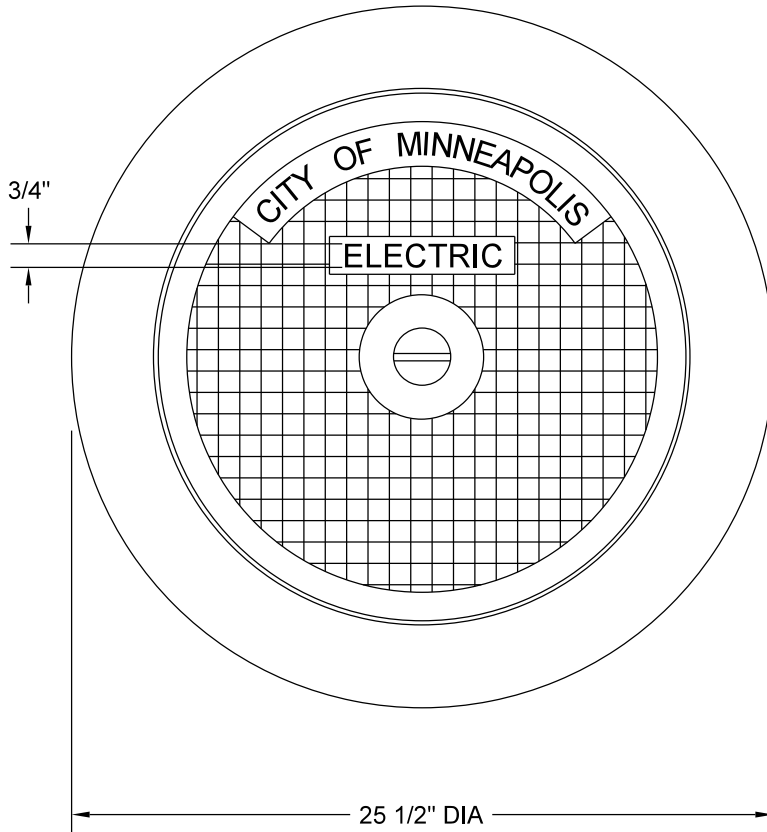


NOTES: 1. RING AND COVER TO BE CAST IRON; UNPAINTED AND UNPRIMED FROM THE FOUNDRY

2. WEIGHT OF RING = 96 LBS
WEIGHT OF COVER = 46 LBS

3. RAISED LETTERING,
3/4" SHARP FACE GOTHIC

4. 1/4" X 20 THREADED DRILLED & TAPPED HOLES FOR GROUNDING

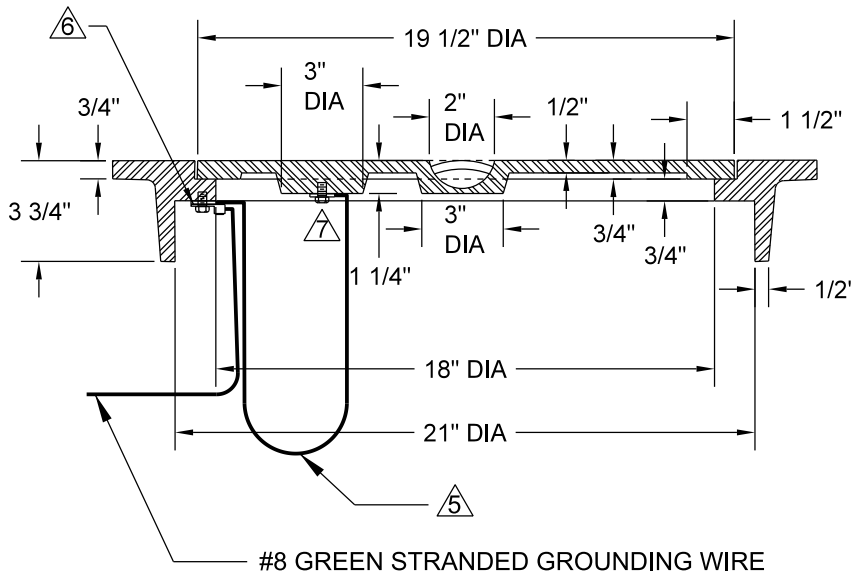


5. **BRAIDED STRAP**
BURNDY WILEY -
WILEYBRAID24 #6
OR EQUIVALENT

SECURE STRAP TO COVER
WITH 1/4" - 20 X 5/8"
HEX HEAD BOLT

6. **GROUND LUG**
1/4"-20 D&T 1/2" DEEP
ON A 18 3/4" DIA. B.C.
FOR GROUND STRAP

7. 1/4"-20 D&T
(3/8" THREAD DEPTH)
ON BOSS PROVIDED



NO SCALE



DRW: EAV

DATE: 1/14/20

APP: DRP

DATE: 1/14/20

HANDHOLE - SIGNAL/ST. LIGHT

18" DIA. X 30" - STEEL

STANDARD
PLATE
NO.
TRAF-1715-R5