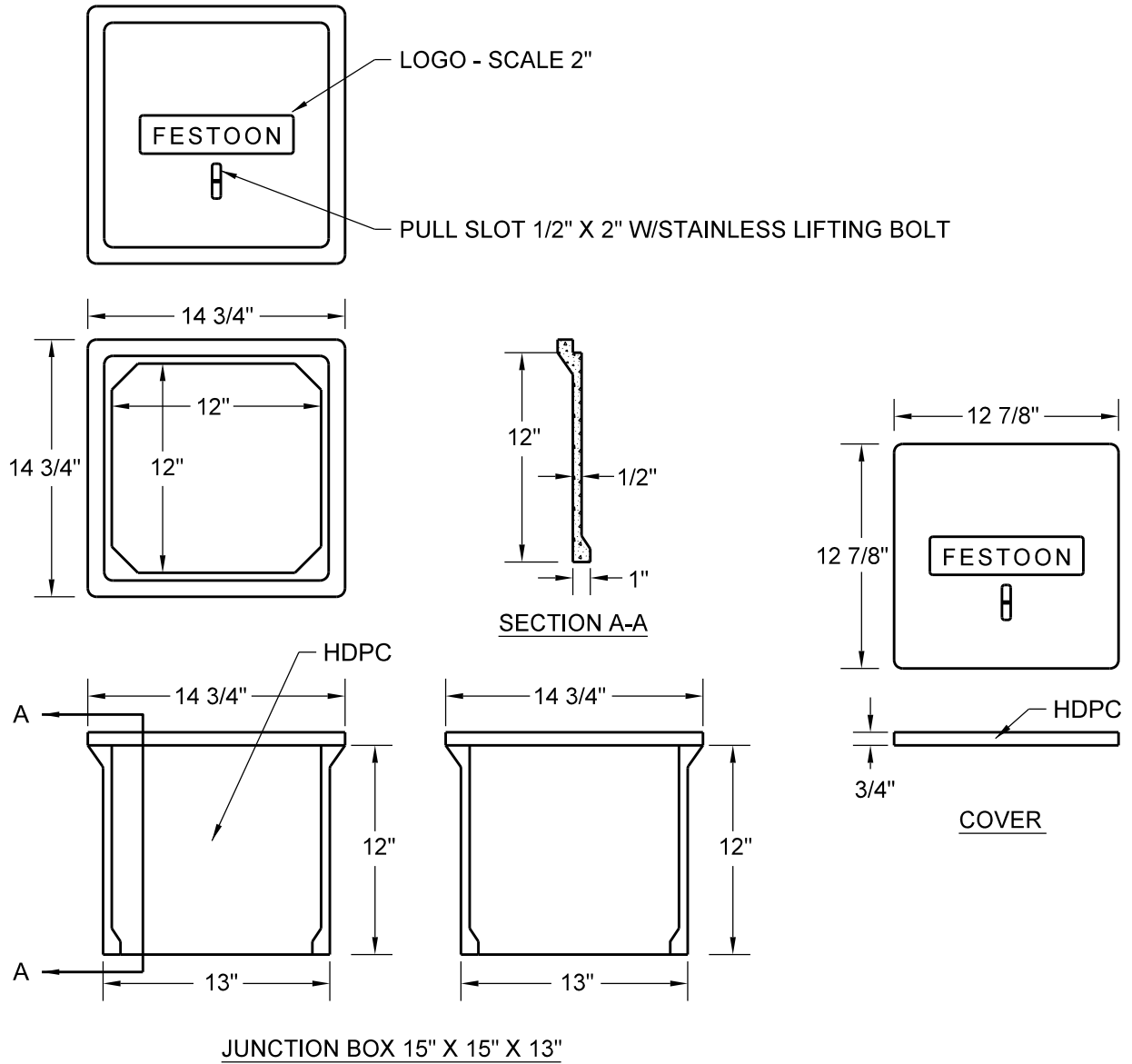


ENCLOSURE FEATURES

- OPEN BOTTOM
- STRAIGHT WALL

COVER FEATURES

- HIGH DENSITY POLYMER CONCRETE (HDPC).
- LOGO EMBOSSED WITH 2" HEIGHT LETTER AS SHOWN.
- SKID RESISTANT SURFACE (0.5 COF SKID).
- NOT SECURED WITH BOLTS (NO BOLT HOLES IN COVER).



NOTES:

1. COVER AND BOX SHALL MEET TIER 15 RATING (ANSI/SCTE 77-2007).
2. COLOR - CEMENT GRAY.
3. ALL DIMENSION ARE NOMINAL.
4. SEE MPLS STANDARD PLATE TRAF-3725 FOR INSTALLATION DETAILS.

NO SCALE



DRW: BKK

DATE: 02/12/13

APP: DRP

DATE: 02/12/13

HANDHOLE - FESTOON

15" X 15" X 13" - HDPC

REFERENCE PLATES: TRAF-3725, TRAF-3730

STANDARD
PLATE
NO.
TRAF-3720