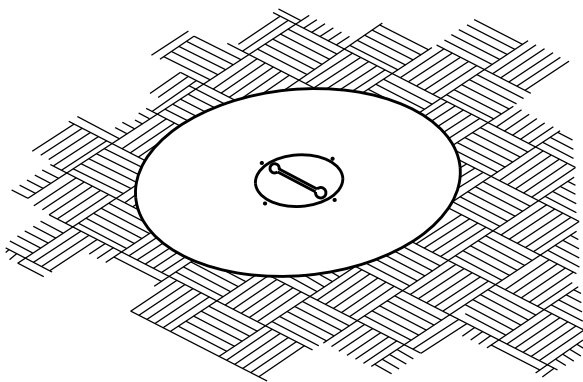
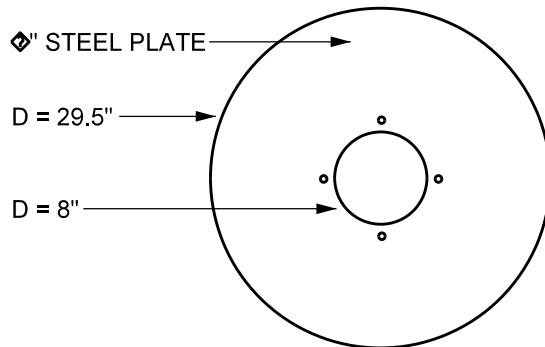


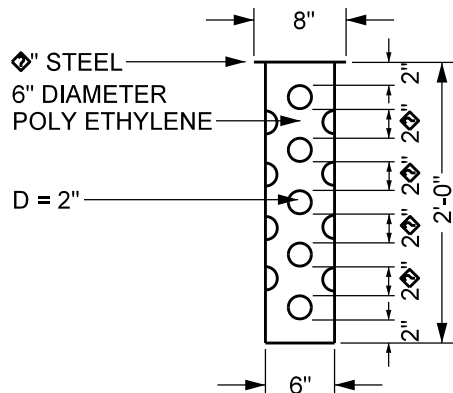
ALSO AVAILABLE IN A SQUARE SHAPE (24" X 24", SEWR-2006)



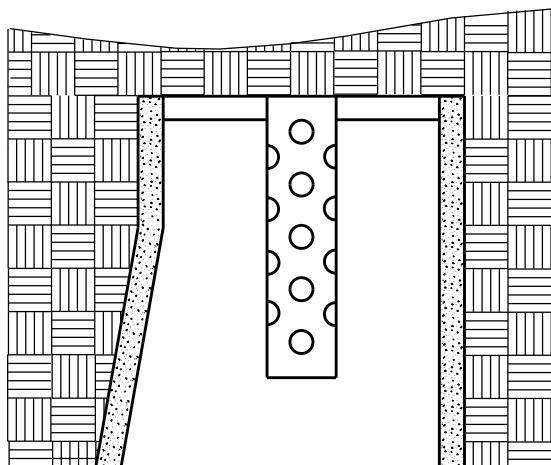
PERSPECTIVE VIEW



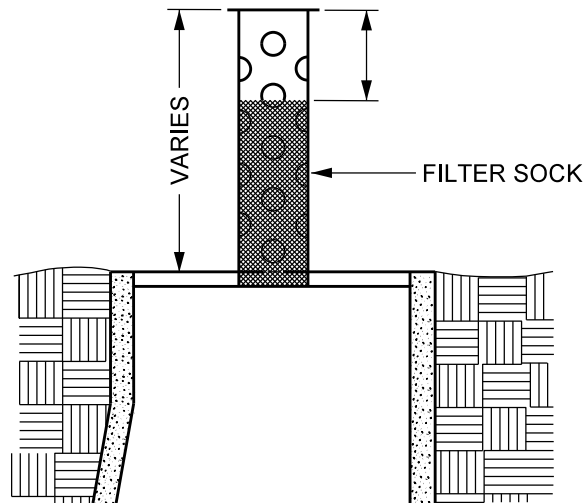
TOP VIEW



DRAIN TUBE



SECTION - DOWN POSITION



SECTION - UP POSITION

REFERENCES:
 MINNESOTA URBAN SMALL SITES
 BMP MANUAL, PP. 3-113 TO 3-120
 MNDOT EROSION CONTROL HANDBOOK

MINNEAPOLIS CUSTOM
 MNDOT SPEC. REF. 3891
 NOT TO SCALE



DRW: DCD	DATE: 1/05
APP: HRS	DATE: 4/07

SEDIMENT CONTROL -- POP-UP RISER

STANDARD
 PLATE
 NO.
 SEWR-8004