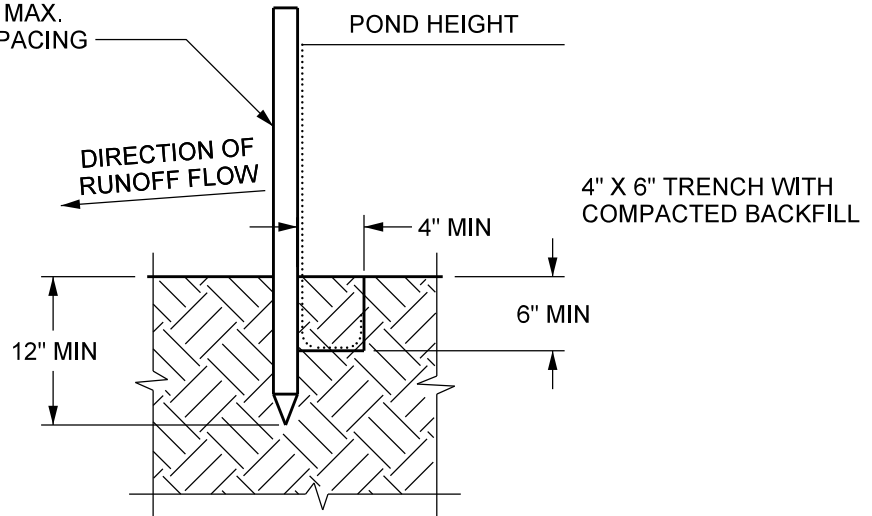


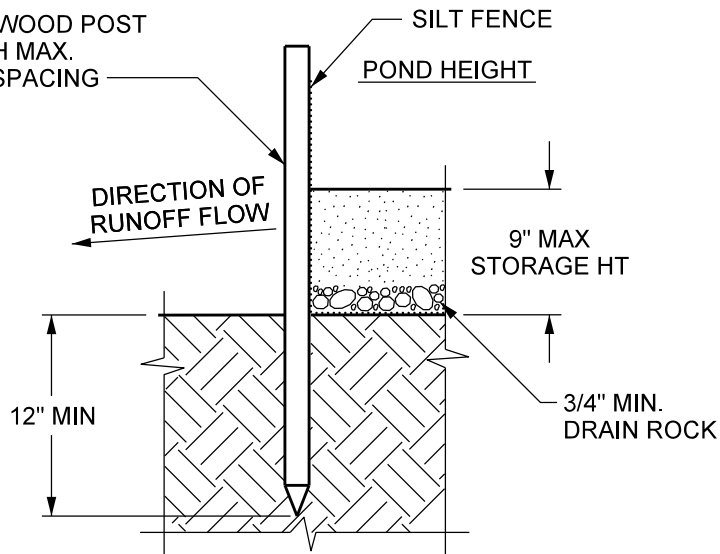
SILT FENCE INSTALLATION

STEEL OR WOOD POST
36" LENGTH MAX.
AT 4' MAX SPACING



TRENCH DETAIL

STEEL OR WOOD POST
36" LENGTH MAX.
AT 4' MAX SPACING



INSTALLATION WITHOUT TRENCHING

USE HI-FLOW FILTER FABRIC, 200 GAL. PER MINUTE PER SQUARE FOOT

NOTES:

1. SILT FENCE SHALL BE PLACED ON SLOPE CONTOURS TO MAXIMIZE PONDING EFFICIENCY.
2. INSPECT AND REPAIR FENCE AFTER EACH STORM EVENT AND REMOVE SEDIMENT WHEN NECESSARY, REQUIRED WHEN 1/3 FULL WITHIN 24 HOURS OF DISCOVERY. 9" MAXIMUM RECOMMENDED STORAGE HEIGHT.
3. REMOVED SEDIMENT SHALL BE DEPOSITED TO AN AREA THAT WILL NOT CONTRIBUTE SEDIMENT OFF-SITE AND PERMANENTLY STABILIZED ALSO SEE SEWR-8009.

REFERENCES:
MINNESOTA URBAN SMALL SITES BMP MANUAL
MNDOT EROSION CONTROL HANDBOOK

MINNEAPOLIS CUSTOM
MNDOT SPEC. REF. 2573, 3886, 3889.2 TYPE I
NOT TO SCALE



DRW: CXD

DATE: 3/03

APP: HRS

DATE: 4/07

SEDIMENT CONTROL -- SILT FENCE

STANDARD
PLATE
NO.
SEWR-8001