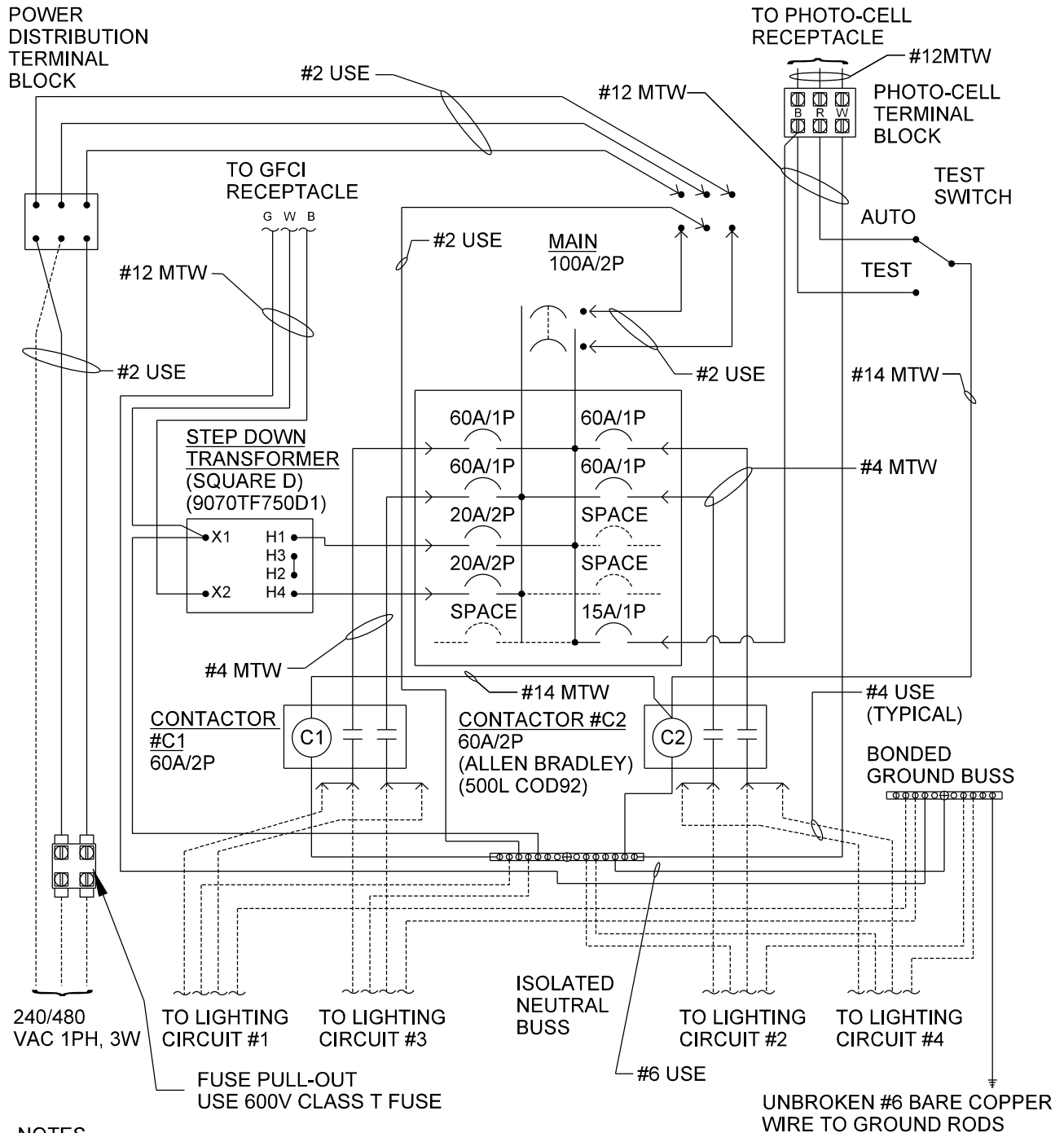


METER SOCKET LIGHTING



- NOTES
1. TYPICAL INSTALLATION SHOWN, COMPONENT SIZE MAY VARY.
  2. KEEP C1 COMPONENTS ON LEFT AND C2 COMPONENTS ON RIGHT.
  3. LOAD CENTER AND BREAKERS SHALL BE SQUARE D.
  4. COMPONENT PARTS IDENTIFIED ARE CITY OF MPLS. STANDARD.
  5. CONTACTORS SHALL BE DOUBLE LUGGED AND ACCOMMODATE UP TO #4 WIRE SIZE.
  6. WIRE DESIGNATION: MTW= MACHINE TOOLWIRE, USE= RHW-2/USE-2.
  7. TEST SWITCH AND PHOTO-CELL SOCKET SHALL BE BRACKET MOUNTED.
  8. SEE MPLS. STD. PLATE TRAF-3479 FOR CABINET LAYOUT.
  9. ALL TERMINAL BLOCKS SHALL BE INSTALLED IN LOWER HALF OF ENCLOSURE.
  10. NEUTRAL AND EQUIPMENT BUSES SHALL BE BONDED AND ACCOMMODATE UP TO #4 WIRE SIZE.

	DRW: GG	DATE: 8/4/17	WIRING - ST. LIGHT SERVICE PARK BOARD 240/480V REFERENCE PLATE: TRAF-3479	STANDARD PLATE NO. TRAF-3611-R5
	APP: DRP	DATE: 8/4/17		