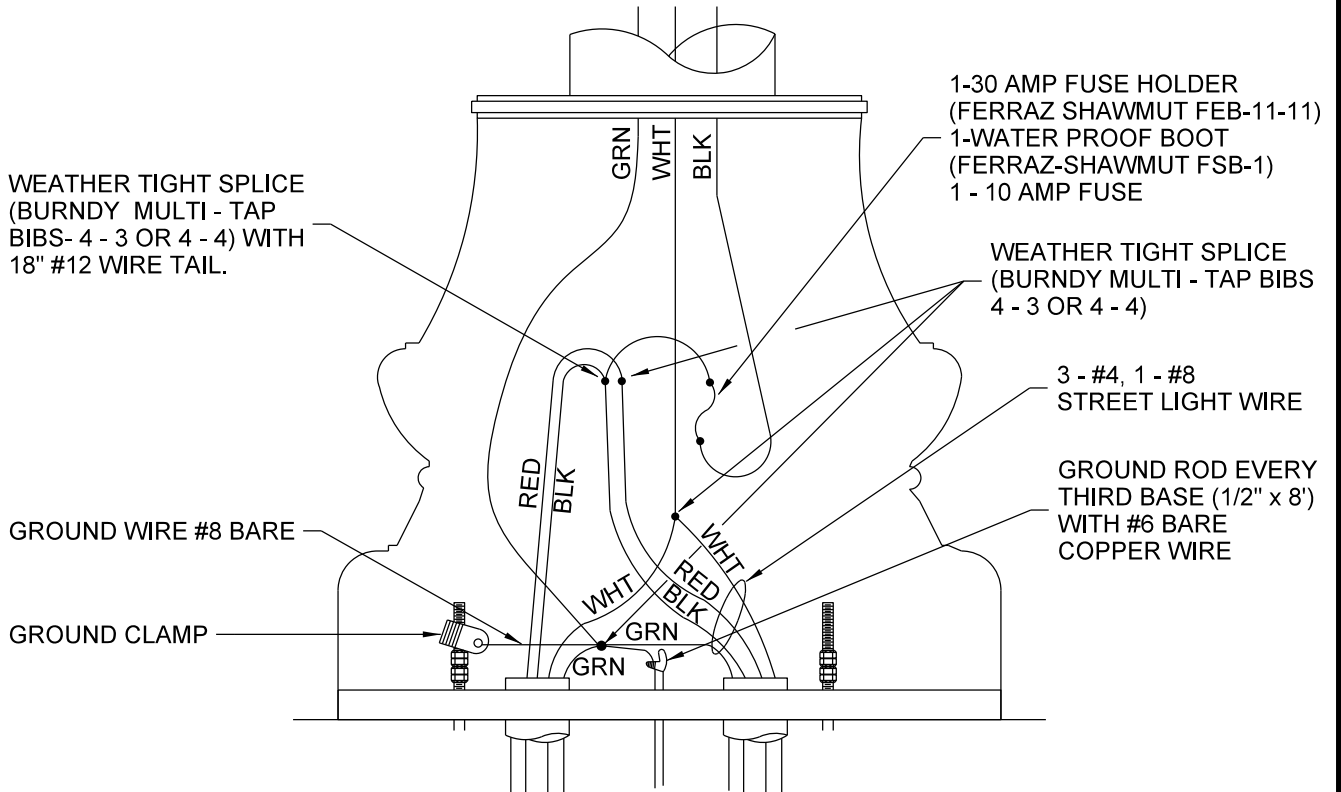
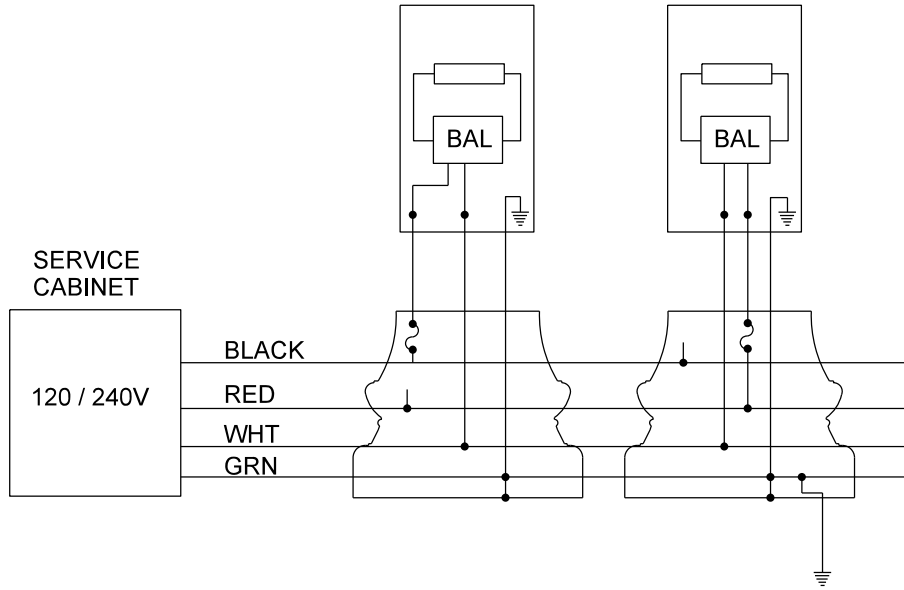


TYPICAL LIGHT BASES



- NOTES:
1. COMPONENT PARTS IDENTIFIED ARE CITY OF MPLS. STANDARD
  2. ALTERNATE PHASING FOR ALTERNATE BASES.

NO SCALE



DRW: CLK      DATE: 10/18/13  
 APP: DRP      DATE: 10/18/13

WIRING - ST. LIGHT  
 STANDARD LOW LEVEL 120V

STANDARD  
 PLATE  
 NO.  
 TRAF-3627-R2