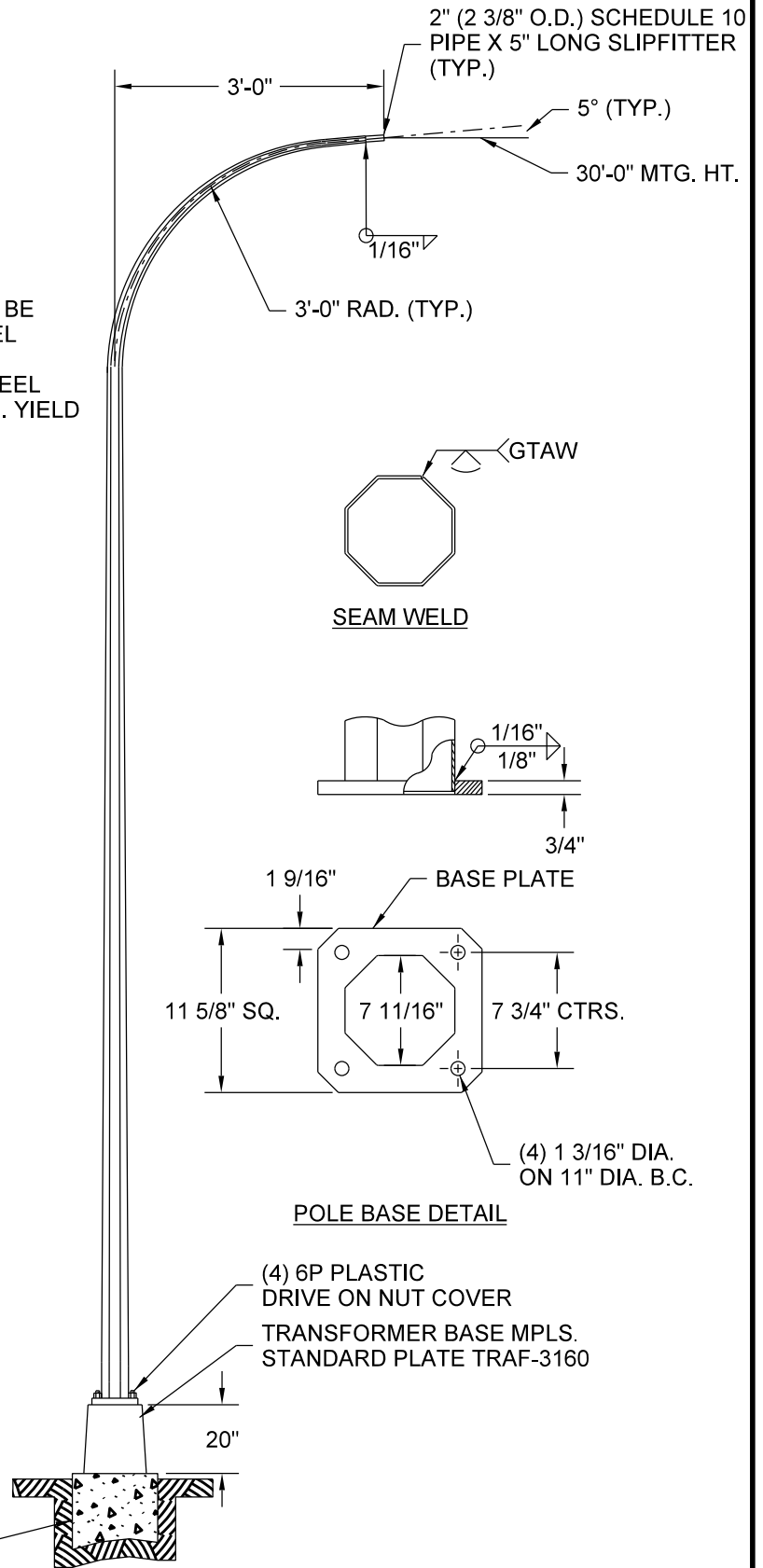


- NOTES:
1. MATERIAL - STAINLESS STEEL
ASTM A240 (TYPE 201L) 50,000 PSI
MIN. YIELD. BASE PLATE MATERIAL TO BE
25,000 PSI MIN. YIELD STAINLESS STEEL
ASTM A240 (TYPE 304L)
SLIPFITTER MATERIAL - STAINLESS STEEL
ASTM A312 (TYPE 304L), 35,000 PSI MIN. YIELD
 2. FINISH-EPOXY PRIMER.
 3. FINISH-UPS BROWN THERMO-SET
ACRLYIC.



NO SCALE



DRW: CLK

DATE: 5/4/11

APP: DRP

DATE: 5/4/11

STANDARD - ST. LIGHT
3M-30A STAINLESS STEEL

REFERENCE PLATES: TRAF-3072, TRAF-3160

STANDARD
PLATE
NO.
TRAF-3217-R1