

# SPECIFICATIONS

**DESCRIPTION**

THE SMOOTH, CURVED AND TAPERED CROSSARM ARM SHALL HAVE A CAST FITTING FOR POST-TOP MOUNTING.

**MATERIALS**

THE CROSSARM SHALL BE 6063-T6 WITH A CAST ALUMINUM (356.1 INGOT ALLOY) POST-TOP FITTING. ALL HARDWARE SHALL BE TAMPER RESISTANT, STAINLESS STEEL.

**DIMENSIONS**

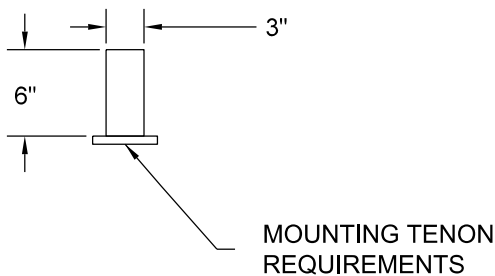
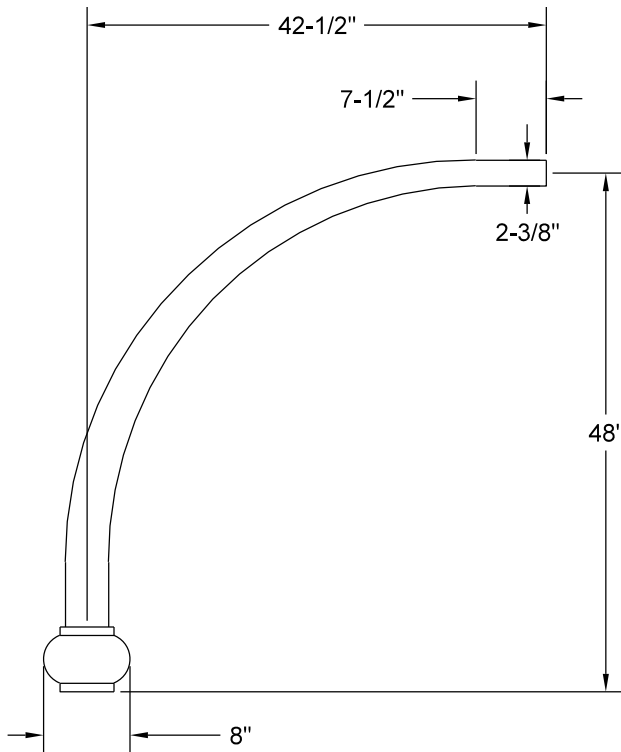
THE CROSSARM SHALL RISE 48" AND MEASURE 42-1/2" FROM POST CENTER TO ARM END. ARM SHALL TERMINATE IN A 2-3/8" STRAIGHT SECTION FOR LUMINAIRE MOUNTING.

**INSTALLATION**

THE CROSSARM REQUIRES A 3" X 6" TALL TENON, AND IS SECURED WITH SET SCREWS.

**FINISH**

THE CROSSARM ASSEMBLY SHALL BE SHIPPED WITH A DARK BRONZE POWDER COAT FINISH.



NO SCALE



DRW: LPK

DATE: 12/7/11

APP: DRP

DATE: 12/7/11

ATTACHMENT - ST LIGHT  
18' DAVIT DECORATIVE HOOK

STANDARD  
PLATE  
NO.  
TRAF-3374-R1