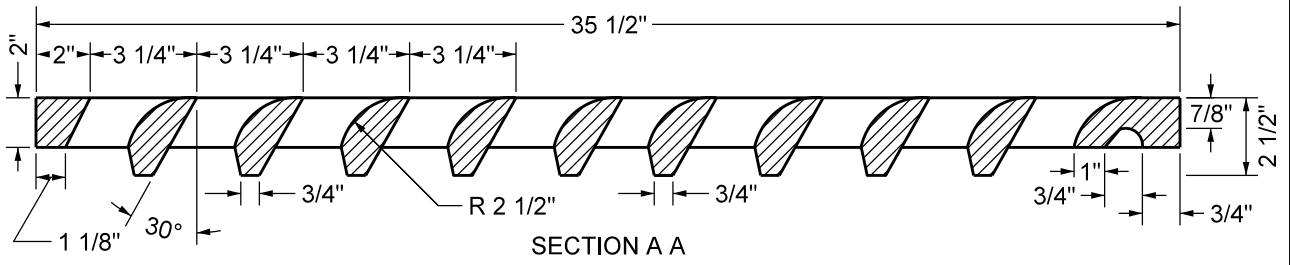
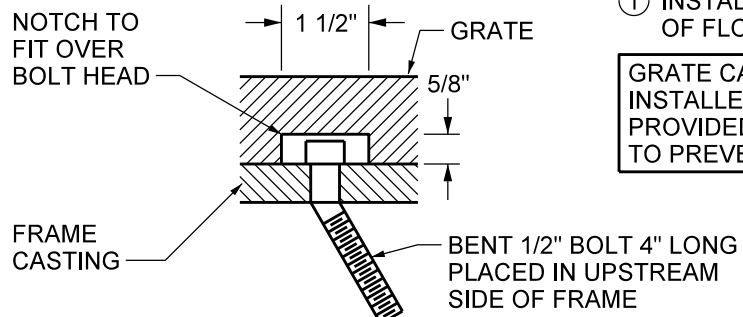


TOP VIEW



SECTION A A



DETAIL
GRATE & FRAME WITH BOLT INSTALLED

① INSTALL GRATE WITH ARROW IN DIRECTION OF FLOW

GRATE CASTING IS BICYCLE SAFE WHEN INSTALLED IN CORRECT POSITION. NOTCH PROVIDED TO FIT OVER BOLT HEAD IN FRAME TO PREVENT WRONG ALIGNMENT OF VANES.

REFERENCE PLATE ONLY

NOTES:
MATERIAL: GRAY IRON ASTM A-48-76 CLASS 35-B

MINNEAPOLIS PARK BOARD CUSTOM
MNDOT SPEC. REF. 2506
NOT TO SCALE



DRW: DCD	DATE: 4/03
APP: HRS	DATE: 4/07

PARK BOARD RECTANGULAR
CATCH BASIN GRATE

STANDARD
PLATE
NO.
SEWR-7008