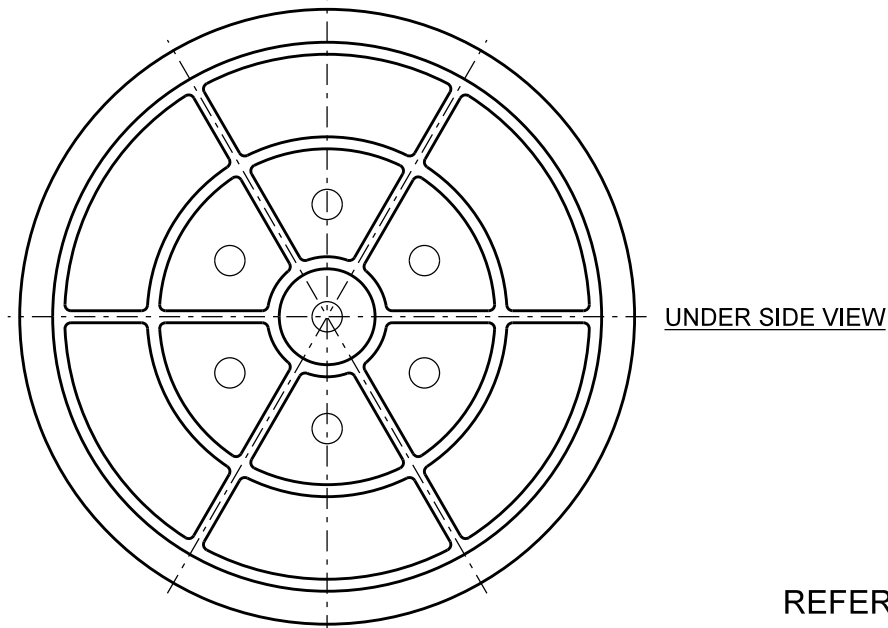
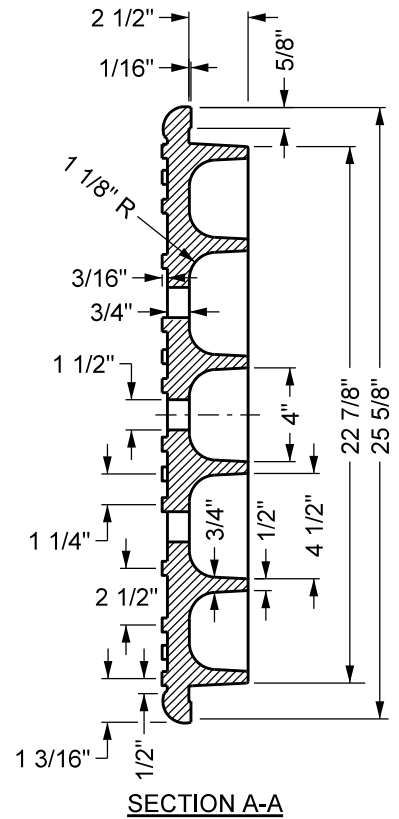
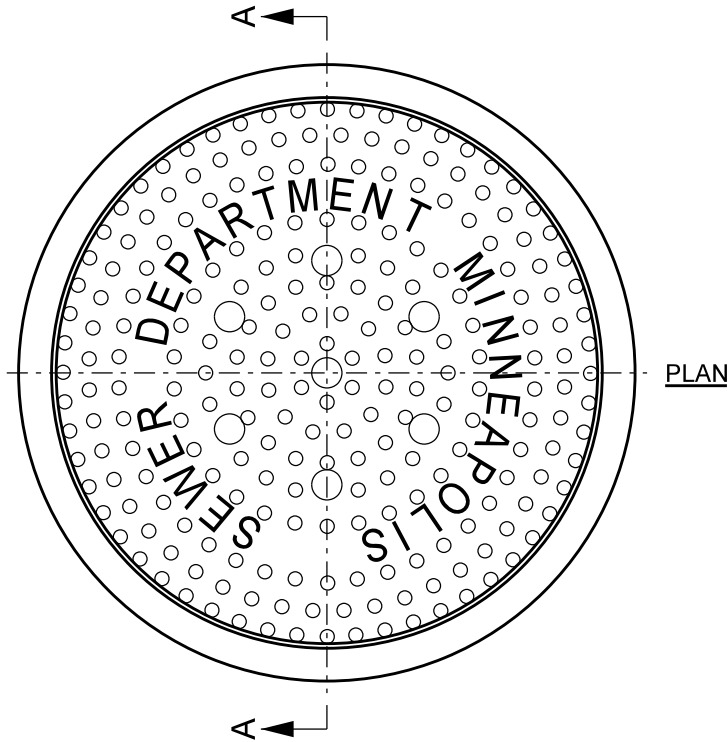


REMOVE 7-HOLE MANHOLE COVERS FROM SANITARY SEWER SYSTEM TO REDUCE CLEAR WATER FLOWS IN THE SANITARY SEWER.

SALVAGED COVERS FROM THE SANITARY SEWER MAY BE INSTALLED ON STORM DRAIN MANHOLES. PLACE IN LOCALIZED STREET FLOODING AREAS AND AREAS WHERE THERE ARE PIPE PRESSURIZATION ISSUES.



REFERENCE PLATE ONLY

MINNEAPOLIS CUSTOM  
MNDOT SPEC. REF. 2506  
MODIFIED MNDOT 4110F  
NOT TO SCALE

NOTES:  
WEIGHT = 210 LBS.  
MATERIAL: GRAY IRON ASTM A-48



DRW: DCD

DATE: 9/09

APP: HRS

DATE: 9/09

MANHOLE COVER -- SEVEN LIFT HOLE

STANDARD  
PLATE  
NO.  
SEWR-5017