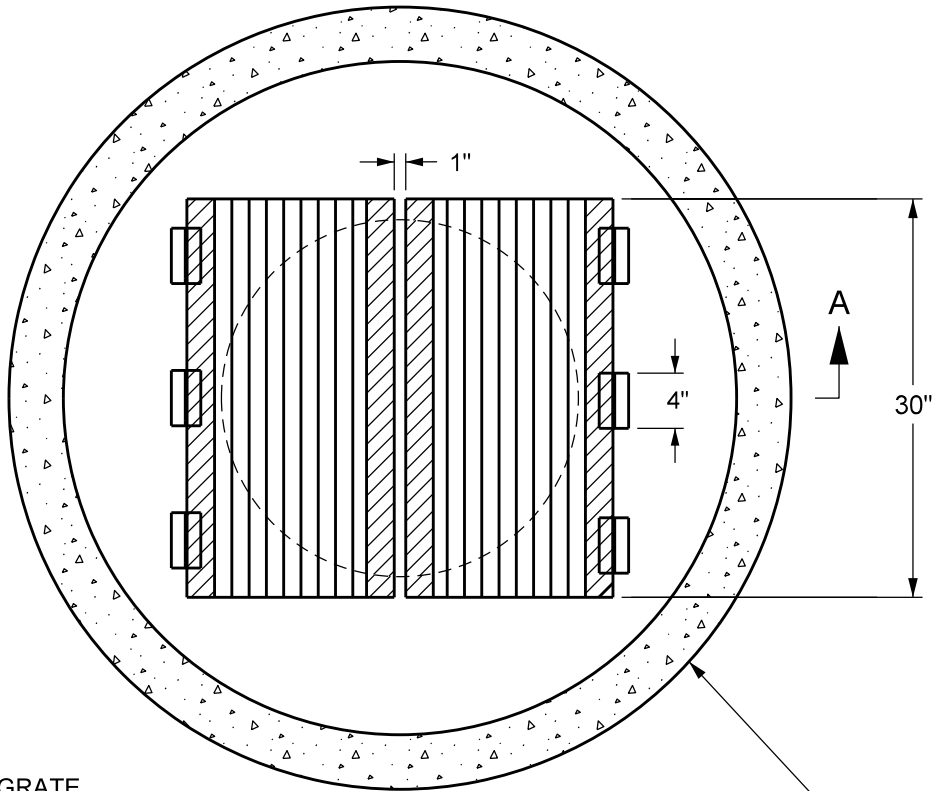


316 STAINLESS
STEEL HINGE
DETAIL

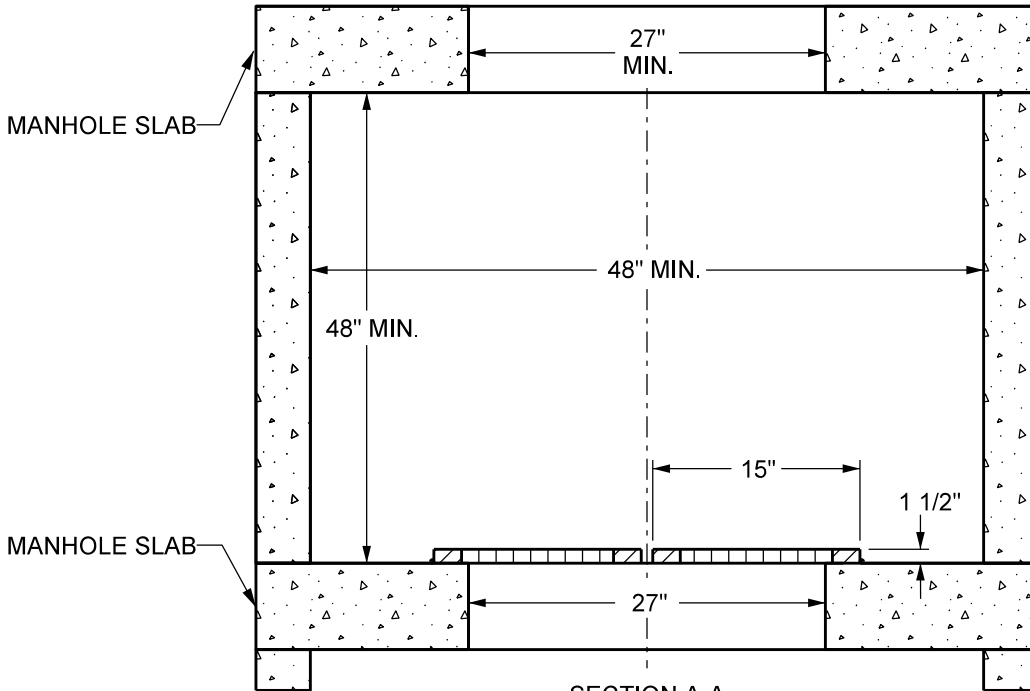
A ↑



TOP VIEW

FIBERGLASS SAFETY GRATE
DURAGRID I-4000, 1 1/4" I BEARING BARS
T-5000 STAIR TREAD LANDINGS (2")

PRE-CAST
RISER
SECTION



SECTION A-A

NOTES:
ALL PIPE INLETS SHALL BE BELOW SAFETY GRATE.

MINNEAPOLIS CUSTOM
MPLS. DESIGN PROTOTYPE
NOT TO SCALE



DRW: DCD

DATE: 4/03

APP: HRS

DATE: 12/06

SHAFT HOLE SAFETY GRATE PROTOTYPE

STANDARD
PLATE
NO.
SEWR-3009