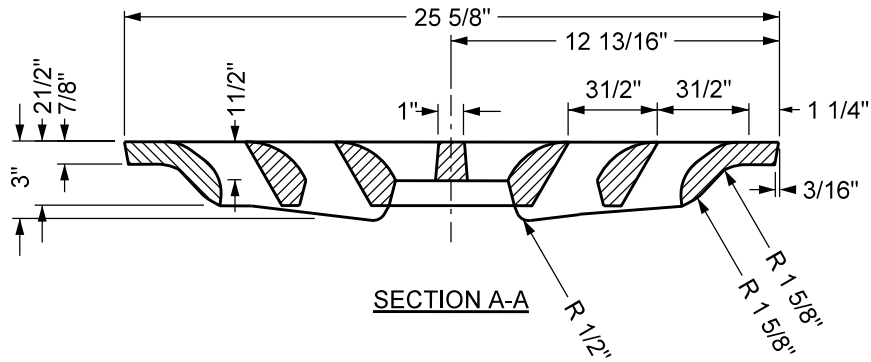
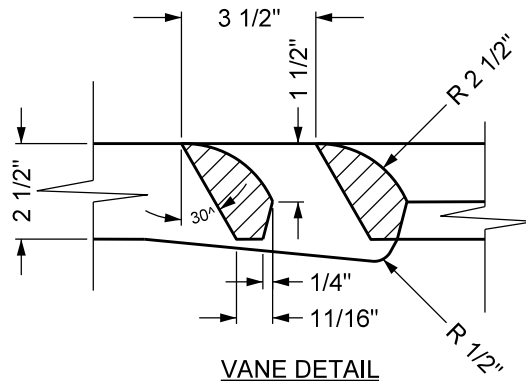


PLAN



SECTION A-A



VANE DETAIL

NOTES:  
 MINNEAPOLIS ALLEY INLET GRATE  
 MATERIAL: GRAY IRON ASTM A-48

MINNEAPOLIS CUSTOM  
 MNDOT SPEC. REF. 2506  
 MODIFIED MNDOT 4154B  
 NOT TO SCALE



DRW: ZTT

DATE: 12/02

APP: HRS

DATE: 12/06

CIRCULAR VANE GRATE

STANDARD  
 PLATE  
 NO.  
 SEWR-2003