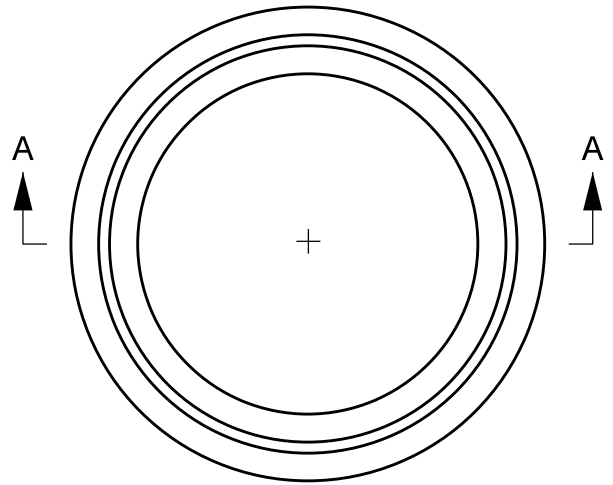


CONCRETE ADJUSTING RING

NOTES:  
 ON CONSTRUCTION OF DRAINAGE STRUCTURES,  
 THE NUMBER OF ADJUSTING RINGS USED PER  
 MANHOLE OR CATCH BASIN SHALL BE LIMITED  
 TO PROVIDE A MAXIMUM THICKNESS OF 8"  
 INCLUDING MORTAR THICKNESS (A 6" RING IS NOT  
 ALLOWED ON NEW CONSTRUCTION). PLASTER  
 COAT INTERIOR OF ADJ. RINGS MIN. 1/2" MORTAR MIX  
 TYPE N AIR ENTRAINED. FINISHED SMOOTH.  
 CONCRETE RINGS MUST BE ENCASED IN MORTAR.



TOP VIEW

- ① REINFORCING:  
 A SINGLE HOOP OF 8 GAGE STEEL WIRE.



SECTION A-A

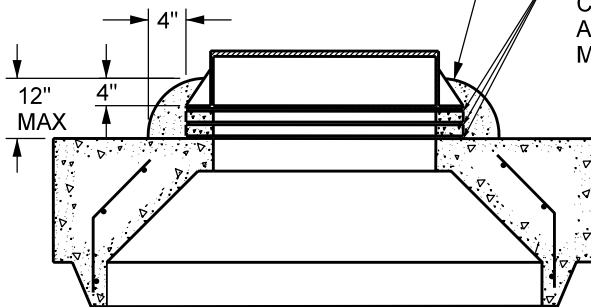
INSTALLATION DETAIL

PLASTER COAT INTERIOR OF ADJUSTING RINGS MIN. 1/2" MORTAR MIX TYPE N AIR ENTRAINED. FINISHED SMOOTH.

CONCRETE COLLAR TO ENCASE CASTING AND ADJUSTING RINGS. USE CONCRETE CURB AND GUTTER MIX OR MORTAR MIX FOR COLLAR (MNDOT SPEC. 2506.2B)

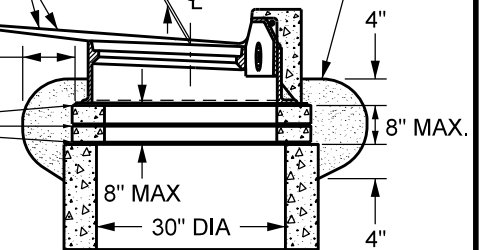
PAVEMENT SURFACE

SUMP



MINNEAPOLIS SHORT CONE SECTION

MORTAR BETWEEN CASTING, RINGS AND STRUCTURE, MIN. 1/2"



MINNEAPOLIS CATCH BASIN

MINNEAPOLIS CUSTOM  
 MNDOT SPEC. REF. 2506, 4026A  
 CONCRETE ADJUSTING RINGS ONLY  
 NOT TO SCALE



DRW: DCD

DATE: 12/09

APP: HRS

DATE: 12/09

CONCRETE ADJUSTING RINGS

STANDARD  
 PLATE  
 NO.  
 SEWR-1011-R1