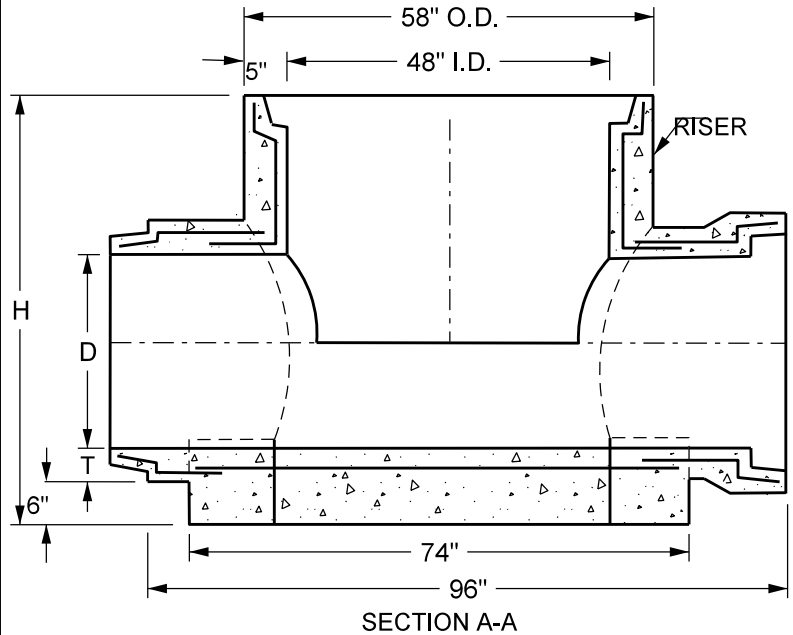


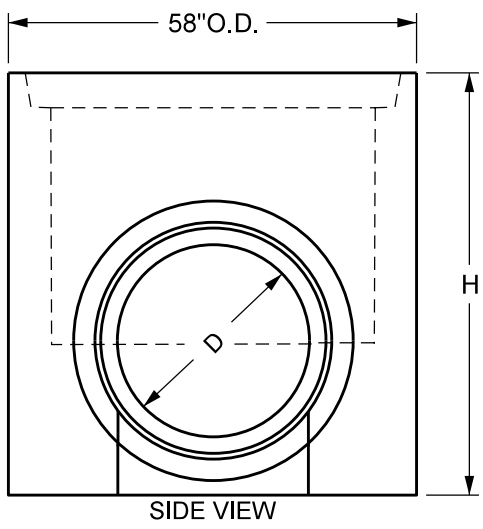
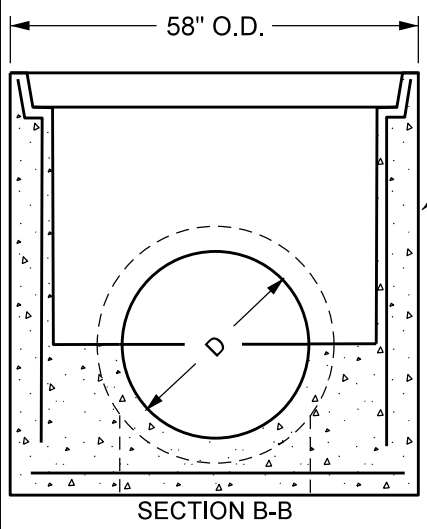
PIPE DIA. "D" (in.)	"C" WALL THICKNESS "T" (in.)	OVERALL HEIGHT "H" (in.)
12	* 3	36
15	* 3 1/4	36
18	* 3 3/4	48
21	3 1/2	48
24	3 3/4	48
27	4	60
30	4 1/4	60
33	4 1/2	60
36	4 3/4	60

\* THICKWALL DESIGN



NOTES:  
 R-4 CONFINED 'O' RING GASKET JOINT APPLIES.  
 STEPS MAY BE USED ONLY FOR PRIVATE MANHOLES.  
 MINNEAPOLIS STANDARD, NO STEPS

REBAR: PLACE 8 EQUALLY SPACED NO. 10 x 24" BARS OR WIRE MESH OF EQUIVALENT AREA IN RISER AND PIPE SECTIONS  
 REBAR IN METRIC DESIGNATIONS



MNDOT SPEC. REF. 2506  
 DESIGN J MNDOT 4009H  
 NOT TO SCALE

	DRW: CXD	DATE: 2/03	<b>MANHOLE "MINI-TEE" SECTION</b>	STANDARD PLATE NO. SEWR-1006
	APP: HRS	DATE: 12/06		