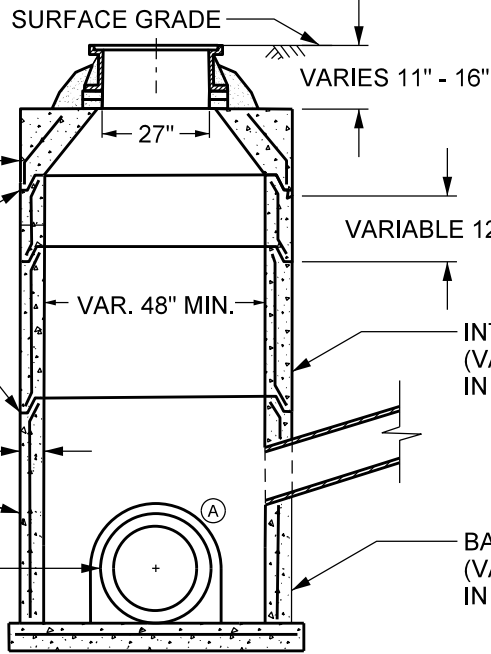


PRECAST CONC. TOP SECTION
W/ 27" CENTER HOLE (BELL DOWN)
MNDOT TYPE C ALTERNATE SHORT
CONE OR TOP SLAB W/ 27" CENTER
HOLE OPENING

GASKET (MNDOT SPEC. 3726
TYPE B) OR APPROVED EQUAL

PRECAST REINFORCED CONCRETE
RISER SECTIONS (BELL DOWN)
REINFORCING WITH SINGLE LINE
STEEL WIRE FABRIC HAVING AN
AREA OF NOT LESS THAN 0.12 SQ. IN.
PER FOOT OF HEIGHT

PIPE CUT-OUTS AS REQUIRED
(SEE MPLS. PLATE SEWR-6001)



CONTINUOUS INSIDE DIAMETER REQUIRED
USE TYPE C ALTERNATE SHORT CONE SECTION
OR TOP SLAB ONLY

BASE RISER TO BE SET ON A FULL MORTAR BED, TYPE N AIR ENTRAINED MORTAR MIX.
FILL ANNULAR SPACE ON BELL END OF 1ST RISER SECTION WITH BRICK AND MORTAR,
TYPE N AIR ENTRAINED IF NEEDED.

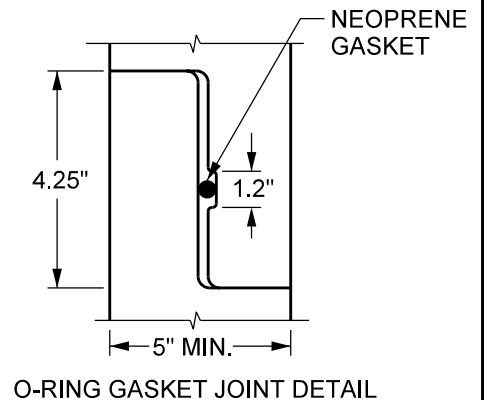
(A) FILL AROUND INLET PIPE WITH CEMENT MORTAR, TYPE N AIR ENTRAINED, FINISH SMOOTH AS NECESSARY.
OVERSIZED HOLE (DOGHOUSE) FOR THE PIPE OPENING TO BE FIELD GROUTED.
MANHOLE BLOCK MAY BE SUBSTITUTED FOR PRECAST RISERS AT THE DISCRETION OF THE CITY
ENGINEER.

TYPICAL INTERMEDIATE RISER HEIGHTS

12"
16"
32"
48"
64"

48" MANHOLE RISER SECTIONS
OTHER HEIGHTS AVAILABLE THROUGH
SPECIAL ORDER

PRE CAST RISERS	
MH I.D. (in.)	WALL "T" (in.)
48"	5"
54"	6"
60"	6"
72"	7"
78"	8"
84"	8"
92"	8"
96"	9"
106"	8"
108"	10"
120"	11"
132"	12"



MINNEAPOLIS CUSTOM
MNDOT SPEC. REF. 2506
MODIFIED MNDOT 4005L
NOT TO SCALE



DRW: DCD

DATE: 12/09

APP: HRS

DATE: 12/09

PRECAST RISER SECTIONS

STANDARD
PLATE
NO.
SEWR-1001-R1