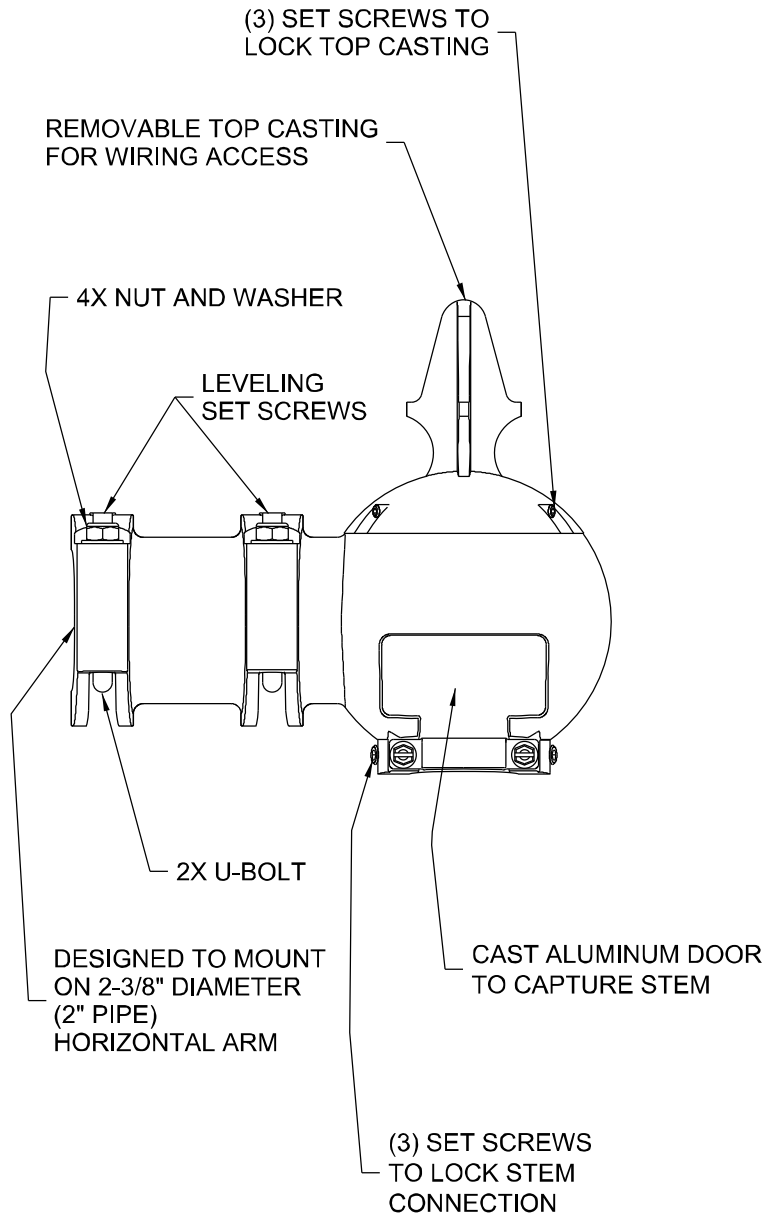


SPECIFICATIONS



MATERIAL
 THE FITTER BODY, TOP COVER, AND DOOR ASSEMBLY SHALL BE HEAVY WALL CAST ALUMINUM. ALL MOUNTING AND LOCKING HARDWARE SHALL BE STAINLESS STEEL.

INSTALLATION
 THE FITTER IS DESIGNED TO BE USED WITH LUMINAIRES HAVING A WELDED PENDANT MOUNT STEM. THE CONTOURED DOOR (WITH INTEGRAL LANYARD) IS REMOVED TO ALLOW THE STEM TO ENGAGE INSIDE THE FITTER. THE DOOR IS REPLACED TO CAPTURE THE LUMINAIRE STEM. THE FITTER IS PROVIDED WITH (2) U-BOLTS, WASHERS AND NUTS AND (2) LEVELING SET SCREWS THAT LOCK THE FITTER TO A NOMINAL 2" HORIZONTAL ARM AND ALLOW A +/- 5 DEGREE ADJUSTMENT FROM HORIZONTAL TO THE FITTER. THE SWIVEL ACTION ON THE STEM ALLOWS FOR +/- 4 DEGREE ADJUSTMENT FROM VERTICAL. (3) SET SCREWS LOCK THE THREADED MALE CONNECTOR IN PLACE. THE CAST TOP COVER CAN BE REMOVED TO ALLOW ACCESS TO THE INSIDE OF THE FITTER TO FACILITATE WIRE CONNECTIONS. (3) SET SCREWS LOCK THE COVER TO THE FITTER.

FINISH
 THE FITTER IS FINISHED WITH A POLYESTER POWDER PAINT APPLIED AFTER A SEVEN STAGE PRETREATMENT PROCESS TO INSURE MAXIMUM DURABILITY.

NO SCALE



DRW: CLK

DATE: 2/6/17

APP: DRP

DATE: 2/6/17

ATTACHMENT - ST LIGHT

18' DAVIT FITTER

STANDARD
 PLATE
 NO.
 TRAF-3376-R2