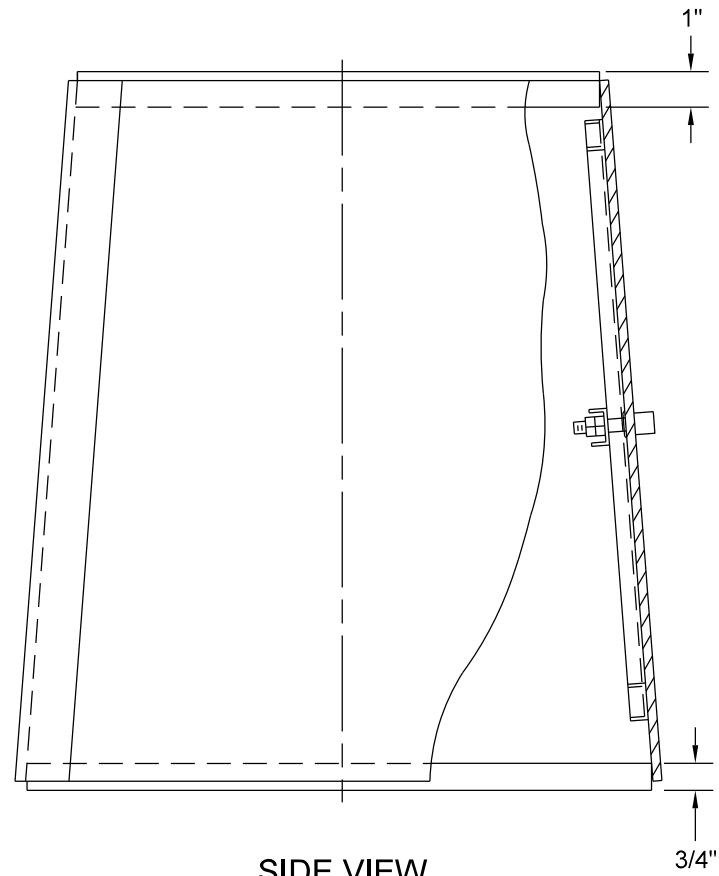
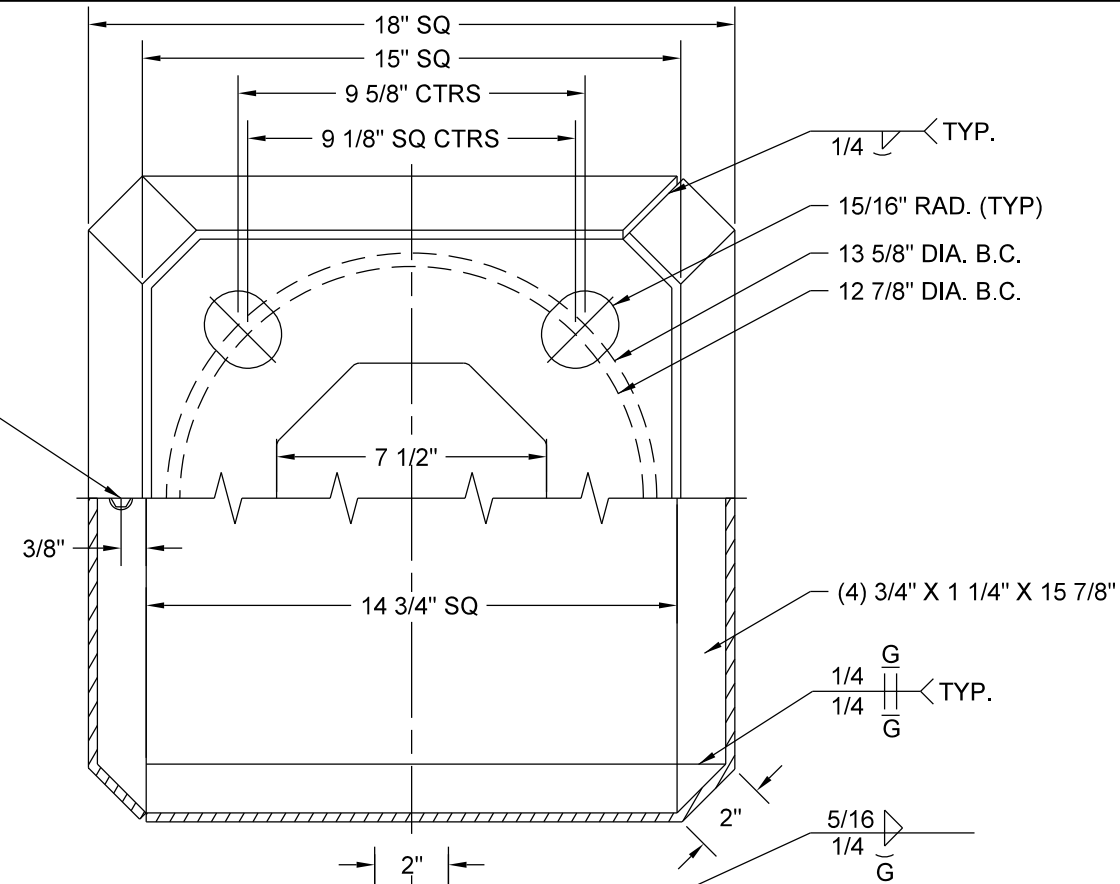
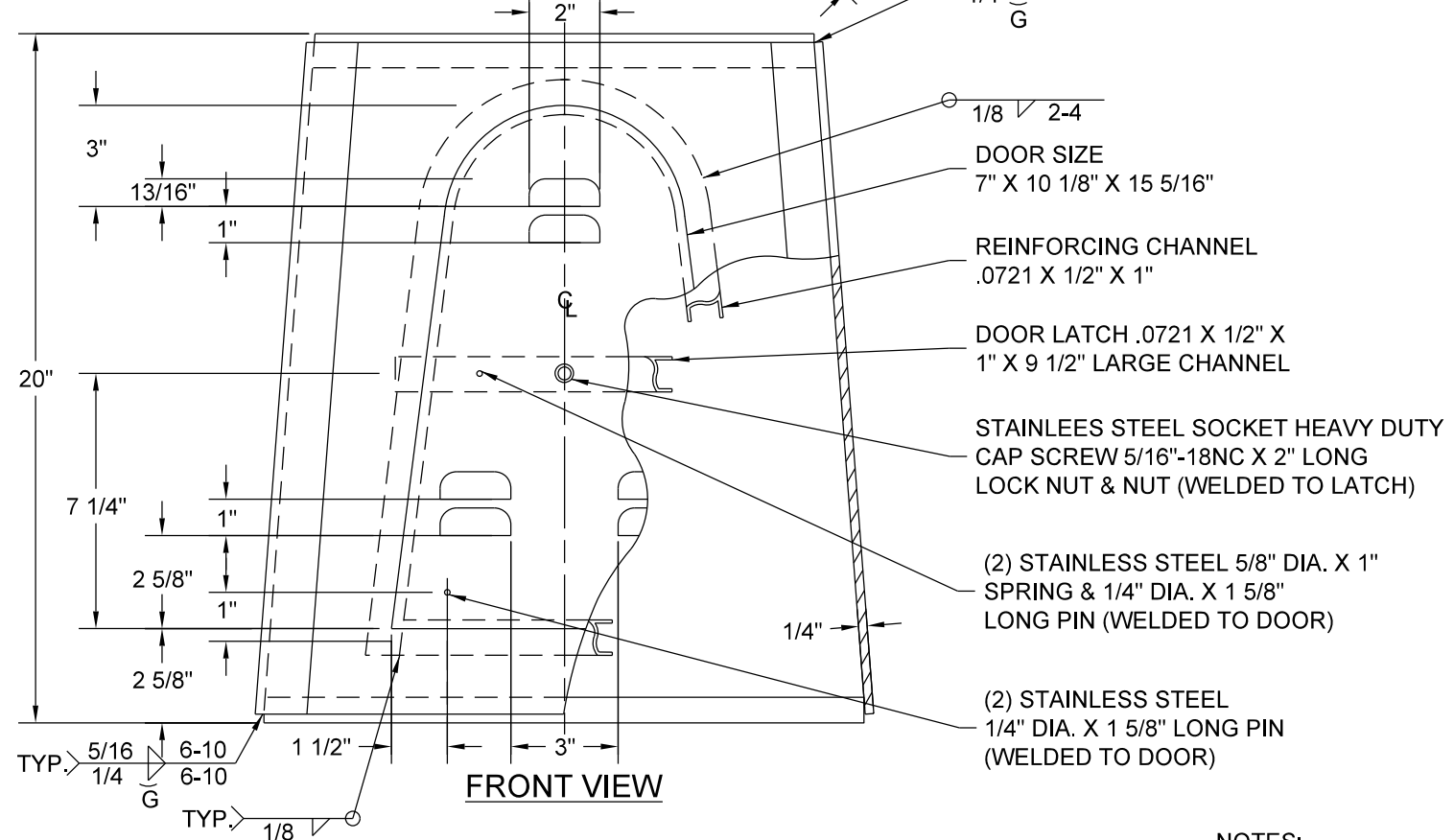


5/16"-18NC TAPPED HOLE
WITH 5/16"-18NC X 3/4" LG.
HEX HEAD CAP SCREW (STAINLESS STEEL)
& (2) BRASS WASHERS

TOP VIEW



SIDE VIEW



FRONT VIEW

NO SCALE

- NOTES:
1. SKIRT MATERIAL - STAINLESS STEEL (TYPE 201L)
50,000 PSI MIN. YIELD AFTER FABRICATION.
TOP & BOTTOM PLATE MATERIAL - STAINLESS STEEL
ASTM A 240 (TYPE 304L) 34,000 PSI MIN. YIELD.
 2. FINISH - EPOXY PRIMER.
 3. FINISH - UPS BROWN THERMO-SET ACRYLIC.

	DRW: LPK	DATE: 3/18/16	<p>BASE - SIGNAL</p> <p>TRANSFORMER TYPE "A" - OVERHEAD</p>	<p>STANDARD PLATE NO. TRAF-1165-R1</p>
	APP: DRP	DATE: 3/18/16		