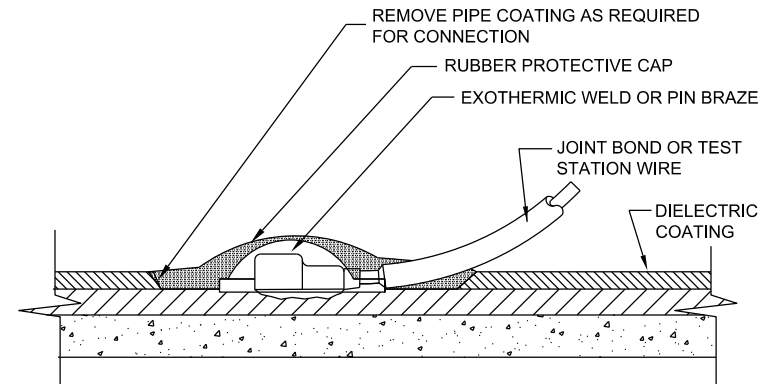


CATHODIC PROTECTION FLUSH MOUNTED TEST STATION



WELD DETAIL

NOTE:

1. THIS DETAIL PLATE IS INTENDED TO ILLUSTRATE THE SUPPLEMENTAL SPECIFICATIONS FOR THE CONSTRUCTION OF PUBLIC INFRASTRUCTURE IN THE CITY OF MINNEAPOLIS - DIVISION WM - WATER DISTRIBUTION SYSTEMS (LATEST EDITION) AND MUST BE USED IN CONJUNCTION WITH THE COMPLETE SPECIFICATIONS

NOT TO SCALE



DRW: RGW

DATE: 5/25/2022

APP: JRH

DATE: 5/25/2022

CATHODIC PROTECTION FLUSH MOUNTED TEST STATION AND WELD DETAIL

STANDARD
PLATE
NO.
WATR-5001-R2