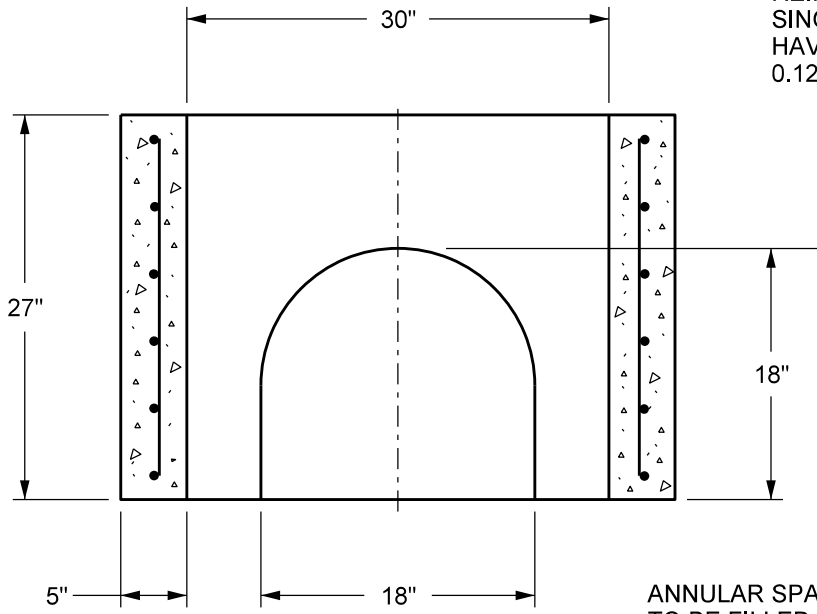


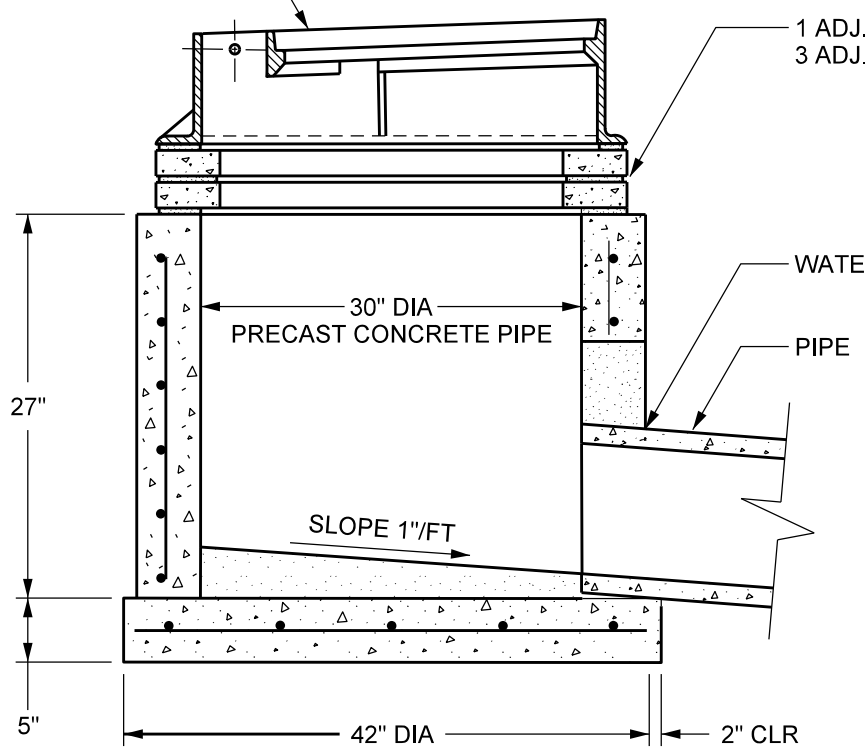
REINFORCING:
SINGLE LINE OF STEEL WIRE FABRIC
HAVING AN AREA OF NOT LESS THAN
0.12 SQ.IN. PER FOOT OF HEIGHT.



TYPICAL RISER CUT OUT

ANNULAR SPACE AROUND PIPE REQUIRED
TO BE FILLED WITH BRICK & MORTAR, TYPE N
AIR ENTRAINED CONCRETE PLASTER COATED
MIN. 1/2" THICK INTERIOR & EXTERIOR OF
STRUCTURE TO A SMOOTH FINISH. ALL PIPES
TO BE TRIMMED FLUSH WITH THE INTERIOR WALL

SEE MPLS. CASTING.
CASTING SHALL BE
SET ON FULL
MORTAR BED.



1 ADJ. RING = 3" INCL. MORTAR
3 ADJ. RINGS = 8" INCL. MORTAR

RISER TO BE SET ON A FULL
MORTAR BED

REFERENCE
PLATE ONLY

MINNEAPOLIS STANDARD CB POT
MNDOT DESIGN N ONLY

MNDOT SPEC. REF. 2506
DESIGN N MNDOT 4003B
NOT TO SCALE



DRW: MJS	DATE: 3/24
APP: HRS	DATE: 12/09

PRECAST CATCH BASIN POT

STANDARD
PLATE
NO.
SEWR-5026