

TOP OF SHORT CONE TO BE SET 15" BELOW FINISHED GRADE

FILL BELL END SPACE WITH CONCRETE BRICK & TYPE N AIR ENTRAINED MORTAR

TYPICAL 48" MANHOLE TOP SLAB WITH 27" CENTER HOLE (OVERSIZED TOP SLABS MAY BE REQUIRED)

TOP SLAB SHALL BE SET ON A FULL MORTAR BED. MINIMUM 1/2" THICK, TYPE N AIR ENTRAINED.

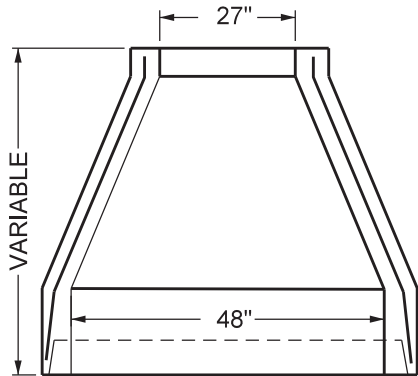
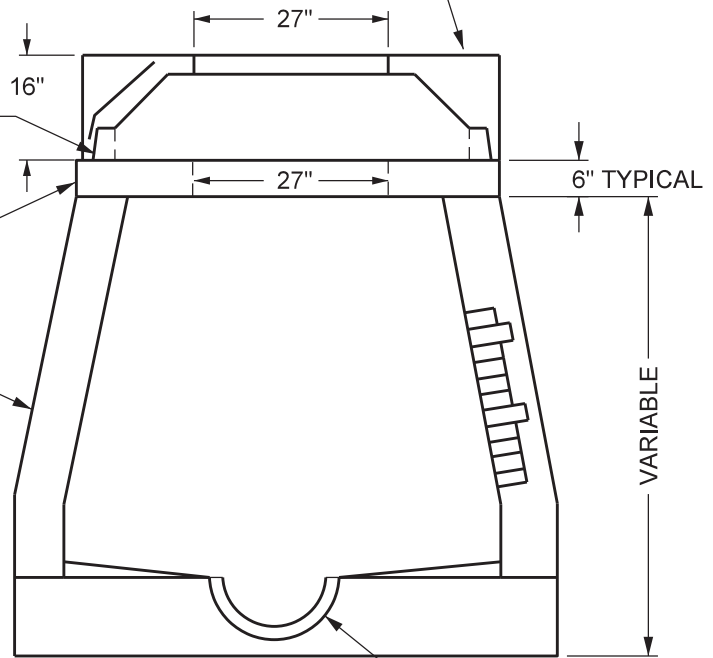
TYPICAL MINNEAPOLIS EX. BRICK MANHOLE

CONE & RISER REINFORCEMENT SINGLE LINE STEEL WIRE FABRIC HAVING AN AREA NOT LESS THAN 0.12 SQ. IN. PER FOOT OF HEIGHT.

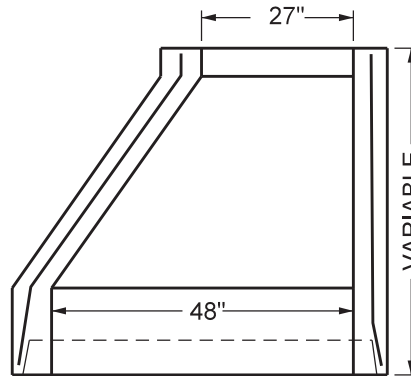
PREVENT DEBRIS FROM FALLING INTO MANHOLE.

CONTRACTOR RESPONSIBLE FOR REMOVAL OF ALL DEBRIS.

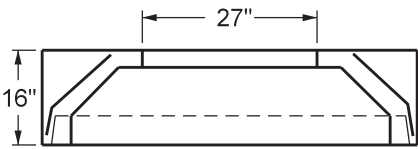
NOTE: TOP SLAB AND CONE SECTIONS SHALL BE SET ON A FULL BED OF TYPE N AIR ENTRAINED MORTAR
 MANHOLE BLOCK MAY BE USED TO REPLACE THE PRECAST RISER SECTION.
 SEE MPLS. PLATE SEWR-1014.



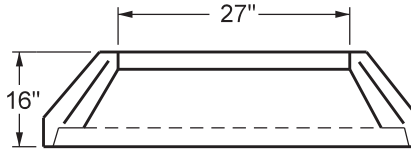
TYPE A CONE



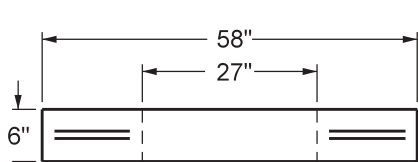
TYPE B CONE



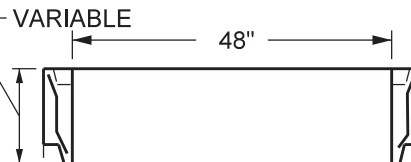
TYPE C SHORT CONE MINNEAPOLIS



TYPE C SHORT CONE



TOP SLAB 27" CENTER OPENING
 48" MANHOLE SLAB SHOWN



PRE CAST RISER SECTION

CONFIGURE BELL DOWN ON ALL MANHOLE RISERS.

THE PROJECT ENGINEER SHALL SPECIFY METHOD OF MANHOLE RECONSTRUCTION IN THE PLAN SET.

MANHOLE RECONSTRUCTION REQUIRED IN NEW STREET CONSTRUCTION AND IN COMPLETE RECONSTRUCTION PROJECTS WHEN TOP OF STRUCTURE IS GREATER THAN 16" FROM FINISHED STREET GRADE. THREE (3) ADJUSTING RINGS AND CASTING ASSEMBLY WITH MORTAR WILL ADJUST 16".

MNDOT SPEC. REF. 2506
 MNDOT 4005L, 4010H
 NOT TO SCALE

REFERENCE PLATE ONLY



DRW: CLK

DATE: 4/21

APP: KMM

DATE: 4/21

BRICK MANHOLE RECONSTRUCTION

STANDARD
 PLATE
 NO.
 SEWR-5022