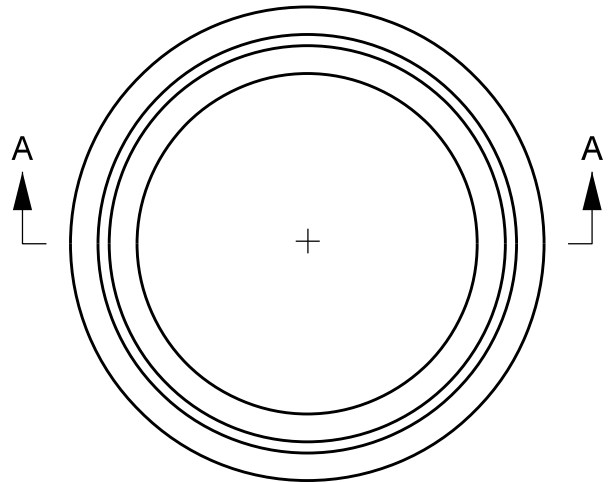


**CONCRETE ADJUSTING RING**

**NOTES:**

THE NUMBER OF ADJUSTING RINGS USED PER MANHOLE OR CATCH BASIN SHALL BE LIMITED TO PROVIDE A MAXIMUM THICKNESS OF 8" INCLUDING MORTAR THICKNESS. (MIN. 1 TO MAX. 3 ADJUSTING RINGS)

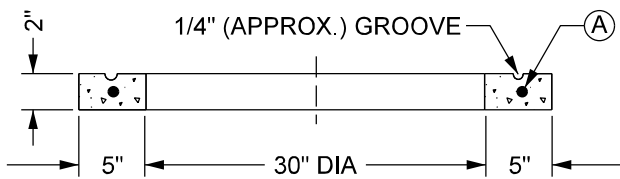
PLASTER COAT INTERIOR OF ADJ. RINGS MIN. 1/2" APPROVED MORTAR MIX. FINISHED SMOOTH.



**TOP VIEW**

**FOR USE WITH CATCH BASIN CASTING**

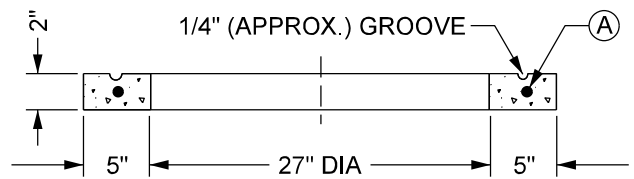
SEE PLATE SEWR-2006  
CATCH BASIN STRUCTURES REQUIRE  
30" CONCRETE ADJUSTING RINGS.



**SECTION A-A**

**FOR USE WITH MANHOLE CASTING**

SEE PLATE SWER-2004  
MANHOLE STRUCTURES REQUIRE  
27" ADJUSTING RINGS.

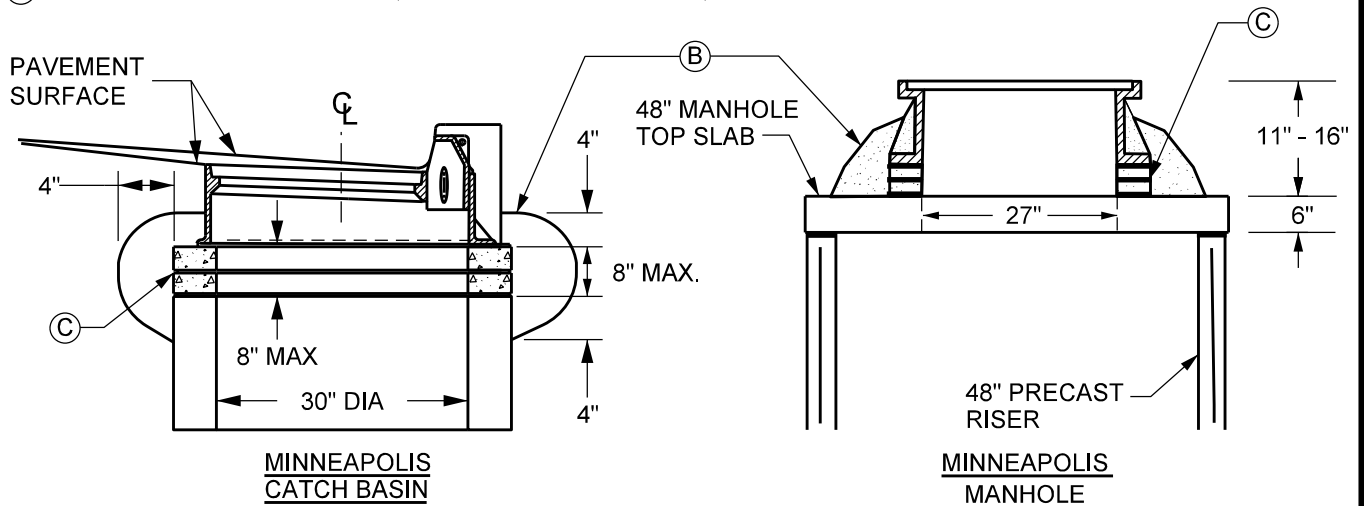


**SECTION A-A**

(A) REINFORCING: A SINGLE HOOP OF 8 GAGE STEEL WIRE.

**INSTALLATION DETAIL**

- (B) CONCRETE COLLAR TO ENCASE CASTING AND ADJUSTING RINGS. USE CONCRETE CURB AND GUTTER MIX OR MORTAR MIX FOR COLLAR (MNDOT SPEC. 2506.2B)
- (C) MORTAR BETWEEN CASTING, RINGS AND STRUCTURE, MIN. 1/2"



MINNEAPOLIS CUSTOM  
MNDOT SPEC. REF. 2506, 4026B  
NOT TO SCALE



DRW: MJS      DATE: 02/24  
APP: KMM      DATE: 04/24

CONCRETE ADJUSTING RINGS

STANDARD  
PLATE  
NO.  
SEWR-1011-R2